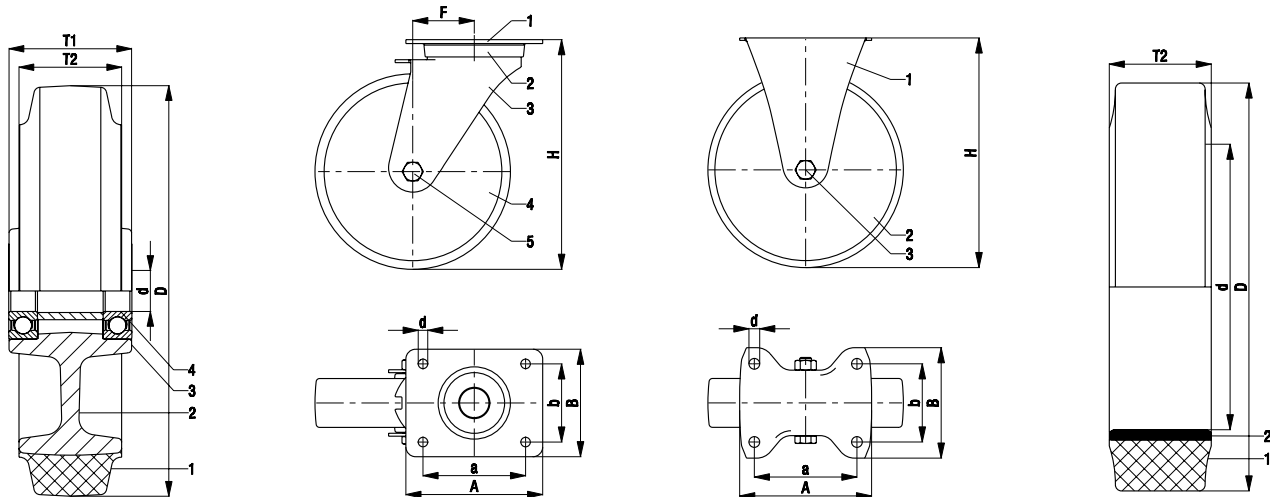


Basics / Terminology



Wheel

Designations:

- 1 = Tread/tyre
- 2 = Wheel centre/rim
- 3 = Hub
- 4 = Wheel bearing

Dimensions:

- D = Wheel diameter
- d = Axle bore diameter
- T1 = Hub length
- T2 = Wheel width

Wheels consist of tread/tyre, wheel centre/rim and a wheel bearing.

Depending on their nature, the wheels have different load capacities, rolling resistances and rolling qualities. The special characteristics of the individual wheel series are explained in detail on page 42 onward 'Blickle wheel series'.

The sectional drawings of the wheels included on the product pages show only examples of each series, and may differ, depending on the product range.

Swivel castor

Designations:

- 1-3 = Swivel bracket
- 1 = Top plate fitting
- 2 = Swivel head (swivel bearing)
- 3 = Swivel fork
- 4 = Wheel
- 5 = Wheel axle

Dimensions:

- H = Total height/mounting height
- F = Offset
- A,B = Plate dimensions
- a,b = Bolt hole spacing
- d = Bolt hole diameter

Swivel castors are vertically rotatable and make appliances, etc. manoeuvrable. A fork (swivel fork) is fitted to the fitting element by a swivel head (swivel bearing).

To enable a smooth swivel motion of the fork, the wheel is generally fitted with a horizontal distance between the axis of the swivel bearing and the wheel (offset).

If correctly dimensioned, the offset allows a smooth swivelling of the castor without additional tools as well as directional stability.

Swivel castors can be equipped with brake systems to lock:

- the rotary motion of the wheel (wheel brake)
- the rotary motion of the wheel and the swivel motion of the fork (wheel and swivel head brake)
- the swivel motion of the fork (directional lock).

Fixed castor

Designations:

- 1 = Fixed bracket
- 2 = Wheel
- 3 = Wheel axle

Dimensions:

- H = Total height/mounting height
- A,B = Plate dimensions
- a,b = Bolt hole spacing
- d = Bolt hole diameter

Fixed castors provide directional stability for appliances, etc. and cannot be swivelled.

Press-on band/tyre

Designations:

- 1 = Tread/tyre
- 2 = Steel-band

Dimensions:

- D = Outer diameter
- d = Inner diameter
- T2 = Width

Press-on bands/tyres consist of different elastomers and are equipped with a steel ring or a steel insert.

Depending on their nature, press-on bands/tyres have different load capacities, rolling resistances and rolling qualities. The special characteristics of the individual press-on bands/tyres are explained in detail on page 59 'Blickle wheel series'.